

PT-9028 LUGGAGE DRUM TESTER

Standard: QB/T 4116-2010

Patent no.: ZL 200820048720.5

Purpose:

For the suitcase and luggage that occur during transport, such as rolling, shock of collision scenarios for simulation.

Suitcase in the drum roll and shock, the required number of revolutions completed, check the luggage of the damaged condition, as the basis for product improvement.

Suit for NIKE, adidas, samsonite standard.

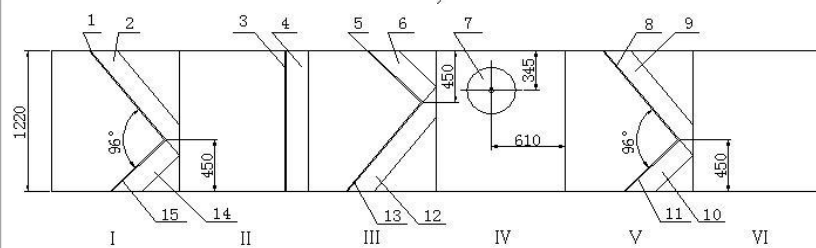
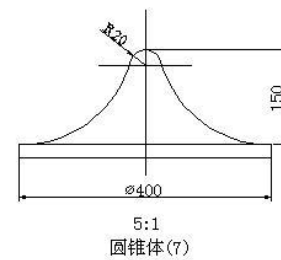
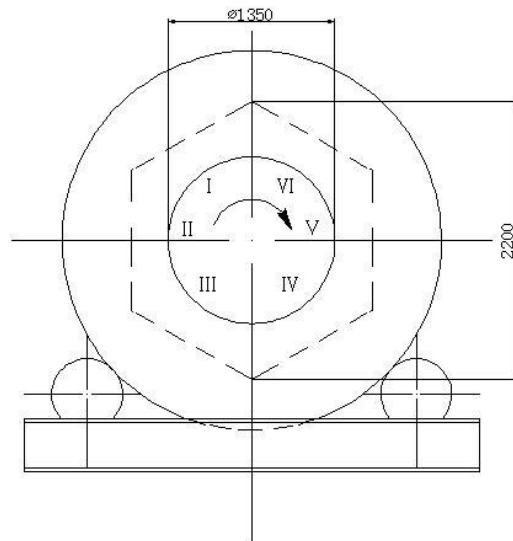
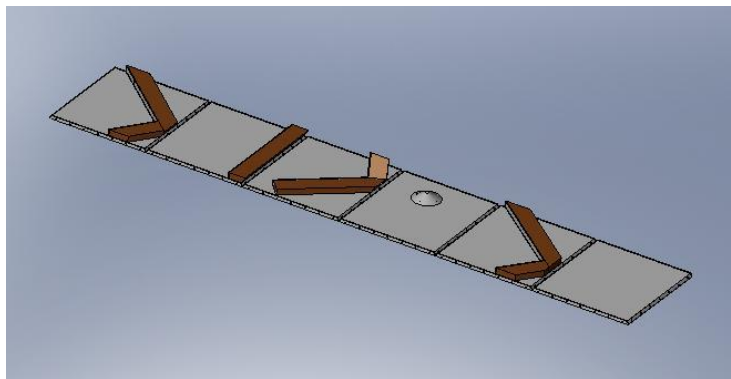


Perfect宝大是全球检测仪器及相关服务的优秀供应商。自1991年在台湾成立以来持续为橡胶、塑胶、制鞋、食品、日化、纸品、彩印包装、箱包手袋、电子电线、纺织、运动器材、生化、制药、家用电器、办公器材、航空、航天、以及高校、研究所等科研开发领域客户提供完善的品质提升解决方案。

PERFECT

Specifications:

Rolling Speed of Drum	2 R.P.M
Times Setting	0~999999 times, Auto stop
Impact Plate	96 degree × 2 sets
Impact Body	Conical metal
Safety Protection	Metal shield
Dimensions	230×160×260cm (W×D×H)
Weight	850kg
Power	1PH, AC220V, 50/60Hz, 15A



图一 滚筒试验机结构尺寸示意图

构件序号	尺寸(mm)	材料	备注
1、3、5、8、11、13、15	高65, 厚(8~10)	钢板	挡板、导板
2、4、6、9、10、12、14	厚65, 宽180	硬木	
7	见附图	铸铁	圆锥体